



WELD THE WORLD

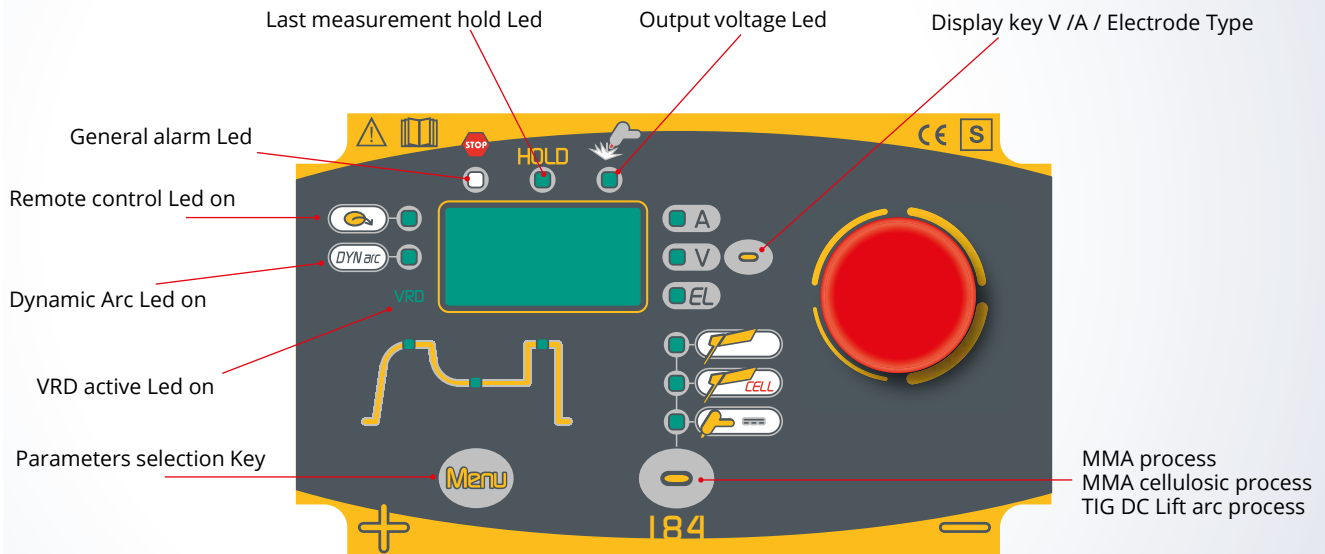
Multipower 184



Multipower 184

MMA - TIG DC

Multipower 184 is an advanced inverter power source characterized by a robust and reliable industrial construction. It is recommended for MMA MMA/CELL and LIFT TIG DC applications providing excellent arc characteristics. **Multipower 184** allows setting of different coated electrode's type (cellulose-basic-rutilic-CrNi - Aluminum) so that welding machine can automatically optimize the processing parameters for each kind of base material. **Multipower 184** is ideal for routine maintenance operations, building construction and repairs.



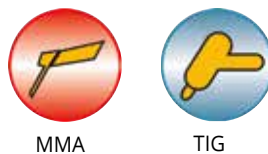
Multipower 184

	1x230Vac ± 15% @ 50-60Hz						1x115Vac ± 15% @ 50-60Hz			
	16A						32A			
	MMA			TIG - WIG			MMA			TIG - WIG
$\%_{40^{\circ}\text{C}}$	35%	60%	100%	35%	60%	100%	50%	60%	100%	100%
$\cdot I_2$	180A	130A	120A	180A	130A	120A	115A	110A	105A	115A
I_2	10A - 180A			5A - 180A			10A - 115A			5A - 115A
U_o	83V-11V									
$P_{I, \text{MAX}}$	5,8KVA -5,6KW									
IP	23S									
	400 x 160 x 260mm									
	10,4Kg									

TECHNOLOGY



PROCESSES



SPECIAL FUNCTIONS



MATERIALS



INDUSTRIES



Multipower 184

Special Functions



The total protection device located inside the inverter is particularly useful in order to protect the inner components against overvoltage coming from the input power net.



Multipower 184 is equipped with a PFC device (Power Factor Corrector) which is dimensioned for supporting a voltage range from 90 Vac up to 270 Vac, there is besides an intelligent system inside able to supply the generator with the needed energy on the basis of each specific working condition. These devices make it possible, that this generator can be used both with not stabilized lines or motor generators and with over 100 meters long supplying cables.



Function VRD (Volt Reduction Device) reduces automatically the voltage of the welding machine during the Standby mode in order to allow the processing in those building site where low voltages are demanded for safety reasons (Dockyards, petrol platforms and so on).



Digital control and excellent welding with cellulosic electrodes is an optimized combination also for piping and Oil & Gas industry applications.

PLUS



LIGHTNESS

The lightness of Multipower 184 makes it particularly suitable for maintenance and mobile welding.



COMPACTNESS

The compactness of Multipower 184 makes it easy to place it even on a working environment of small size.



TRANSPORTABILITY

A sturdy strap makes Multipower 184 easily transported from one workplace to another.

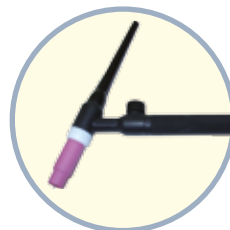
ACCESSORIES



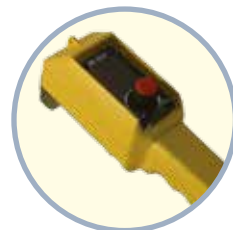
BELT



ELECTRODE HOLDER



TIG TORCHE (VALVE)



REMOTE CONTROL

A solid industrial activity, where the production is based on substantial investments for the supporting of research, projection and continuous testing.

Since 1997 Weco has been producing and selling welding machines

Both registered office and production plant are based on the north east of Italy. Our offices, technical/project department, production and warehouse are able to serve both our national and international sales net. A wide range of welding machines together with a huge stock, allow us to encounter and fully satisfy our customers' requests in short time.

A dynamic management supported by solid experience on the main sales' arguments and a deep knowledge on the application issues, allow this company to be ahead in the welding sector.

WECO means better solution for improving the production, optimizing the intervention time, minimizing the processes' costs, with the highest perform-standards granted.



WELD THE WORLD

WECO srl
Via S. Antonio 22 - Loc. Belvedere
36050 Tezze sul Brenta (Vicenza) - Italy
Tel +39 0424 561 943 - fax +39 0424 561 944
www.weco.it

Dealer